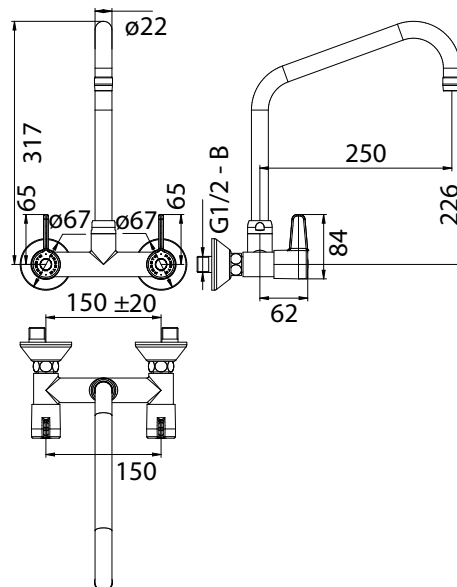


# TECHNICAL DATA SHEET

# PRESTO®

**Range:** PRESTO CHEF - Professionnal Kitchen range  
**Ref:** 70804 - Wall-mounted mixer tap with 2 holes – upward spout



## > THE PRODUCT BENEFITS

- Resistant to intensive use
- Reinforced body / spout interface with double sliding bearings: no play and high endurance
- Robust spout: diameter 22 mm.
- Intuitive and ergonomic knobs: easy grip
- Hygiene: spout with smooth interior
- Wall version: facilitates cleaning and promotes optimal hygiene
- Product design
- High spout to let large containers pass
- Easy maintenance: presence of a slot under the red / blue patch allowing the passage of a screwdriver
- Ease of maintenance: availability of all spare parts
- Flow straightener to channel water and avoid lateral water splashes

## > TECHNICAL SPECIFICATIONS

### > Model:

- Wall-mounted mixer with spout above
- 360° swivel spout, 250 mm projection, height under spout 226 mm, diameter 22 mm. Spout thickness: 1.5 mm
- 1/4 turn ceramic head with flow rate 81L / min at 3 bar
- Interchangeable anti-tartar flow straightener

### > Recommended working pressure:

- 1 to 5 bars

### > Flow rate:

- 81L / min at 3 bar

### > Hydraulic supply:

- M1 / 2" M3 / 4" offset fittings supplied with rosettes

### > Material and color of finish:

- Chromed brass body and spout
- Material compliant with the "UBA" list

### > Thermal resistance :

- Withstands a temperature of 75 ° C for 30 minutes (in the context of thermal shock).

### > Delivered with :

- NF check valves
- 2 filters

### > Standards and approvals:

- Chromed brass body compliant with standards NF EN1982 / NF EN 12164 / NF EN 12165
- Nickel-Chrome surface treatment according to NF EN12540
- Resistance to neutral salt spray (NSS): 200 h according to NF ISO 9227

